

Location: _____

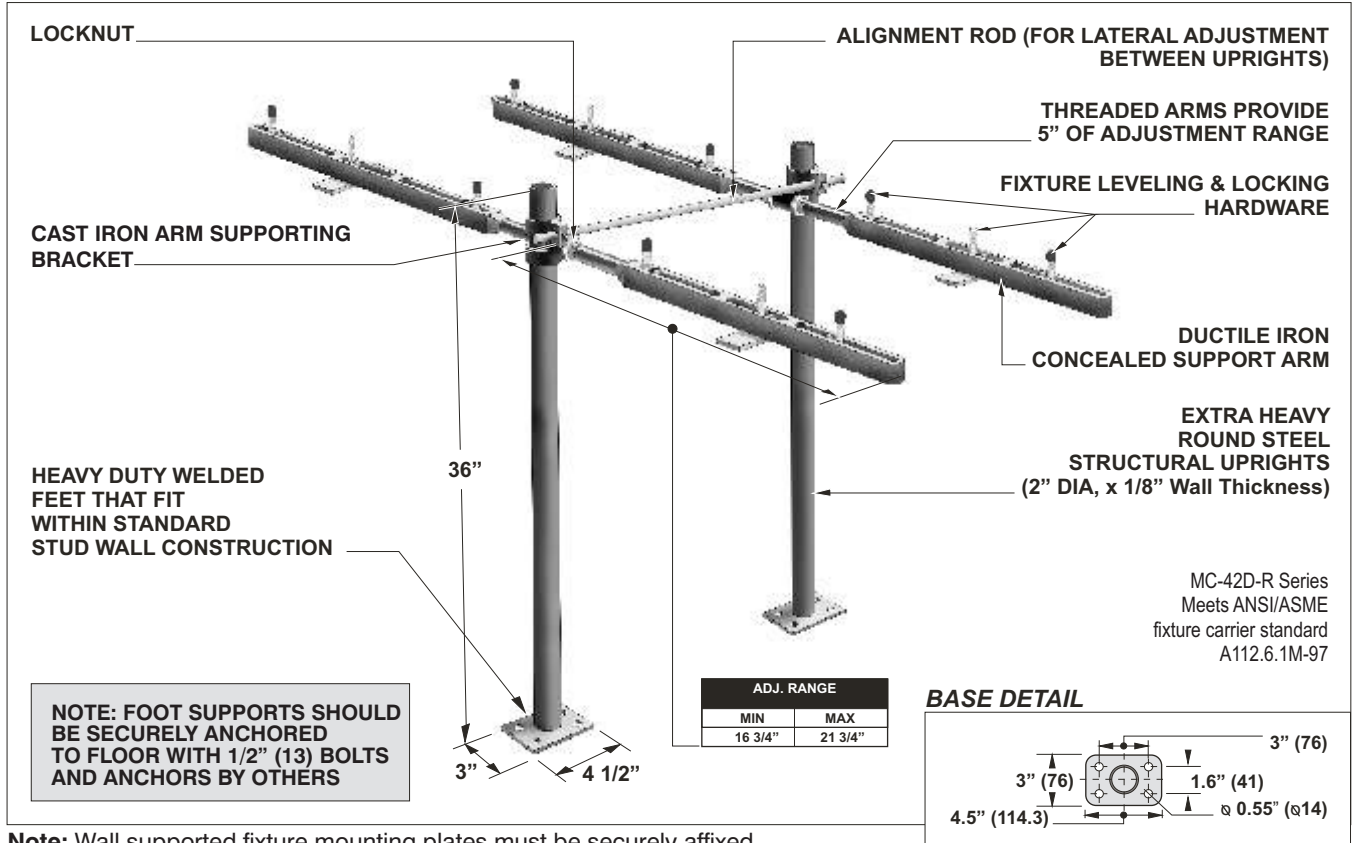


MC-42D-R

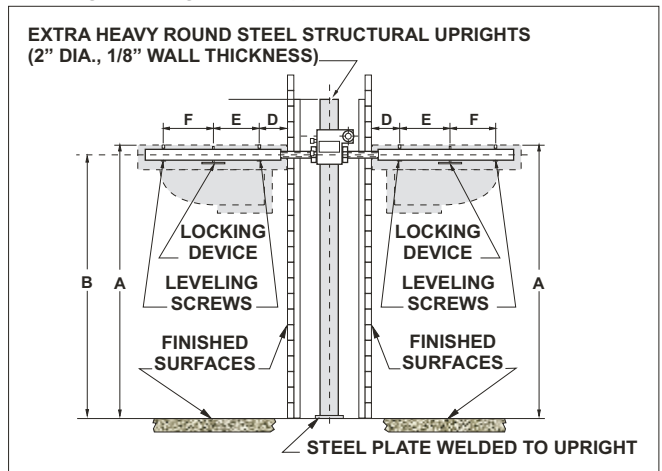
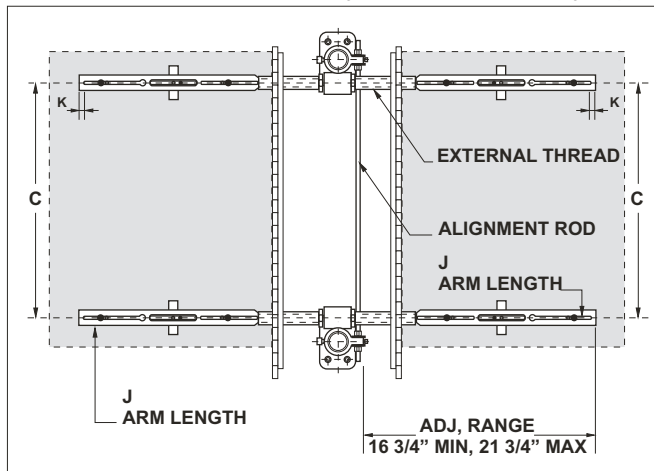
BACK TO BACK FIXTURE CARRIER WITH CONCEALED ARMS AND ROUND UPRIGHTS FOR ADA LAVATORIES

Specification: MIFAB® Series MC-42D-R floor mounted back to back concealed arm ADA lavatory carrier with lacquered, adjustable, ductile iron concealed support arms. Complete with lacquered cast iron invertible and adjustable arm supporting brackets, alignment rod, two lacquered 2" diameter x 1/8" thick structural steel uprights with 3" x 4 1/2" welded steel feet and fixture leveling and locking hardware.

Function: Used to support back to back off-the-floor ADA (elongated) fixtures so that the vertical load bearing components are concealed within the wall. The fixture carrier has no contact with the finished floor inside of the room. The round uprights allow for lateral adjustment to the arms.



Note: Wall supported fixture mounting plates must be securely affixed (with suitable hardware by others) to a wall fully capable of bearing the weight of the plate and fixture.



- SUFFIX OPTIONAL VARIATIONS:**
- B Floor to ceiling uprights (specify height required)
 - BA Buy American Act compliant product
 - E2 2" chrome plated escutcheons (pair)

- SUFFIX**
- G Wall support valve plate
 - PA Pennsylvania Steel Act compliant product
 - PFAB Prefabricated carrier
 - 88 Mounting hardware for cast iron wall hung lavs

Job Name: _____ Page No: _____
 Section No: _____ Contractor: _____
 Schedule No: _____ Purchase Order No: _____

MIFAB reserves the right to make changes in material and design without formal notice and obligation.