

Location: _____



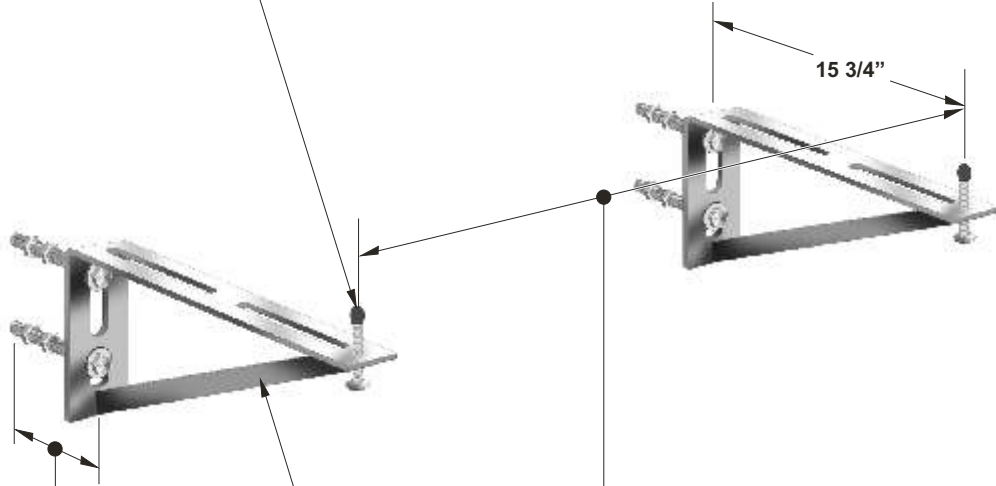
MC-56-LP

EXPOSED ARMS FOR WALL MOUNTED LAVATORY

Specification: MIFAB® Series MC-56-LP exposed arms for wall mounted lavatory with white, lacquered, adjustable, cast iron exposed support arms. Complete with fixture leveling and mounting hardware.

Function: Used to secure wall-hung lavatories to the wall in areas where a floor mounted carrier cannot be installed. Installer to provide own means of mounting exposed arms to the wall. The wall structure must be strong enough to bear the weight of the fixture. Heavy duty exposed cast iron supports provide extra support for the fixture.

RUBBER CAP ON LEVELING HARDWARE



ADJ. RANGE	
MIN	MAX
14 1/2"	21 1/4"

WHITE LACQUERED CAST IRON EXPOSED SUPPORT ARM

ADJ. RANGE	
MIN	MAX
1 1/4"	4 7/8"

MC-56-LP Series
Meets ANSI/ASME
fixture carrier standard
A112.6.1M-97

Note: Wall supported fixture mounting plates must be securely affixed (with suitable hardware by others) to a wall fully capable of bearing the weight of the plate and fixture.

- SUFFIX OPTIONAL VARIATIONS:**
- A Stud length over 6" (specify)
 - BA Buy American Act compliant product

- SUFFIX**
- PA Pennsylvania Steel Act compliant product
 - 14 Vandal proof finish trim

Job Name: _____ Page No: _____
 Section No: _____ Contractor: _____
 Schedule No: _____ Purchase Order No: _____