

Location: \_\_\_\_\_



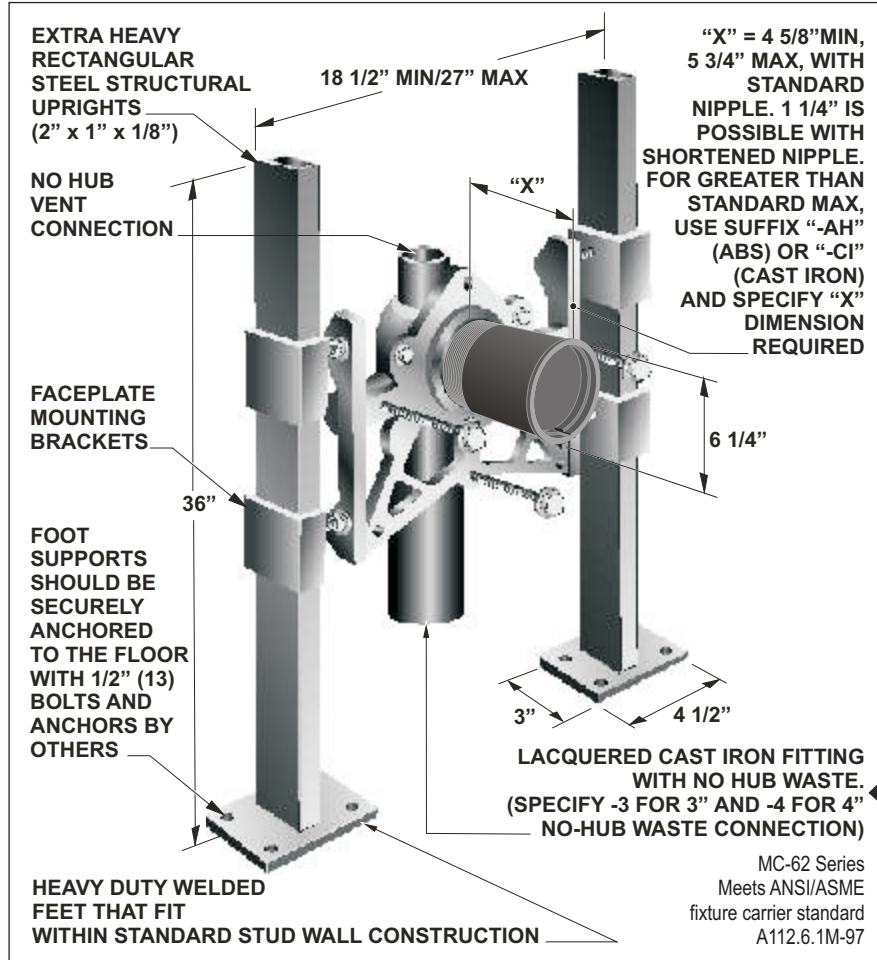
**MC-62**

**FLOOR MOUNTED SERVICE SINK CARRIER WITH FITTING**

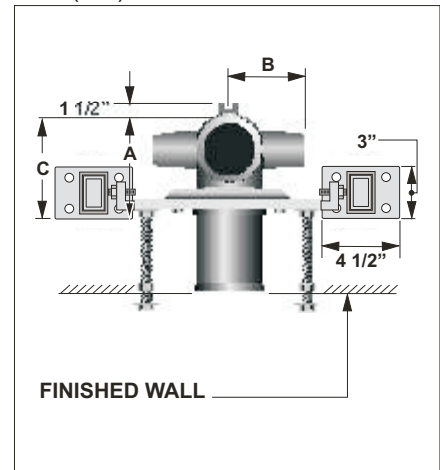
**Specification:** MIFAB® Series MC-62 floor mounted service sink carrier with two lacquered 2" x 1" x 1/8" thick structural steel uprights with 3" x 4 1/2" welded steel feet, and lacquered cast iron fitting with no hub waste and vent connection (specify size of each). Complete with lacquered cast iron faceplate assembly, adjustable 8" tapered thread ABS nipple with integral test cap, neoprene bowl gasket, hardware, threaded rod protectors and polished chrome plated finishing cap nuts.

**Function:** Used with off the floor wall urinals and service sinks that are wall mounted and have no contact with the finished floor. Typically installed in utility, emergency and clean-up rooms. The closet carrier and fitting is completely concealed within the wall and supports the load of the fixture through a faceplate and foot support system that is anchored to the floor. Sanitation underneath the fixture is more efficiently and economically maintained when installed off of the floor compared to floor mounted.

**Note:** Foot supports and faceplate are assembled at the factory before shipment in the typical siphon jet water closet configuration and are reversible for the blowout water closet design.



**Note:** 8" tapered thread ABS nipple shipped standard with MC-10 Series carriers. The universal faceplate assembly accepts all nipple variations, rolling thread (-OR), cast iron (-CI) and tapered thread ABS with adjustable horn (-AH).



MODEL NUMBER	A	B	C
MC-62-3-V2	4 3/4" (89)	5 1/2" (140)	5 7/8" (125)
MC-62-4-V2	4 7/8" (100)	5 1/2" (140)	7" (156)
MC-62-4-V4	4 7/8" (100)	5 1/2" (140)	7" (156)

MC - 62 - 3 - V2 ILLUSTRATED	
MODEL NUMBER CHART	
MC-62-3-V2	3" waste fitting, 2" vent
MC-62-4-V2	4" waste fitting, 2" vent
MC-62-4-V4	4" waste fitting, 4" vent

**Note:** Blow-out configuration illustrated; for siphon jet, invert face plate.

**Note:** See the various fixture dimensional rough-in guides on the [www.mifab.com](http://www.mifab.com) website.

**SUFFIX OPTIONAL VARIATIONS:**

- AH8 8" ABS nipple with adjustable horn
- AH12 12" ABS nipple with adjustable horn
- BA Buy American Act compliant product
- CI-4 4" rolling thread cast iron nipple
- CI-6 6" rolling thread cast iron nipple
- CI-8 8" rolling thread cast iron nipple
- CI-12 12" rolling thread cast iron nipple
- CI-24 24" rolling thread cast iron nipple
- HD Heavy duty 500 lb. load rated carrier
- HD-750 Heavy duty 750 lb. load rated carrier
- HDX Extra heavy duty 1,000 lb. load rated carrier
- HS Hub and spigot connection
- OR8 8" rolling thread ABS nipple
- OR12 12" rolling thread ABS nipple
- PA Pennsylvania Steel Act compliant product

**SUFFIX**

- PFAB Prefabricated carrier
- V2 2" no hub vent connection
- V4 4" no hub vent connection
- 3 3" no hub waste connection
- 4 4" no hub waste connection
- 10 Auxiliary support, recommended with nipple lengths over 12"
- 12 12" tapered thread ABS nipple
- 13 Galvanized cast iron
- 14 Vandal proof finish trim
- 17 Test plug for custom and cast iron nipples
- 19 Nipple wrench
- 20 Flush valve support
- 25 2" Auxiliary inlet, right side
- 26 2" Auxiliary inlet, left side

**SUFFIX**

- 31 Two 2" Auxiliary inlets
- 32 Foot pedal valve mounting plate

Job Name: \_\_\_\_\_ Page No: \_\_\_\_\_  
 Section No: \_\_\_\_\_ Contractor: \_\_\_\_\_  
 Schedule No: \_\_\_\_\_ Purchase Order No: \_\_\_\_\_

MIFAB reserves the right to make changes in material and design without formal notice and obligation.

USA: 1-800-465-2736 [www.mifab.com](http://www.mifab.com) CAN: 1-800-387-3880