

Location: \_\_\_\_\_

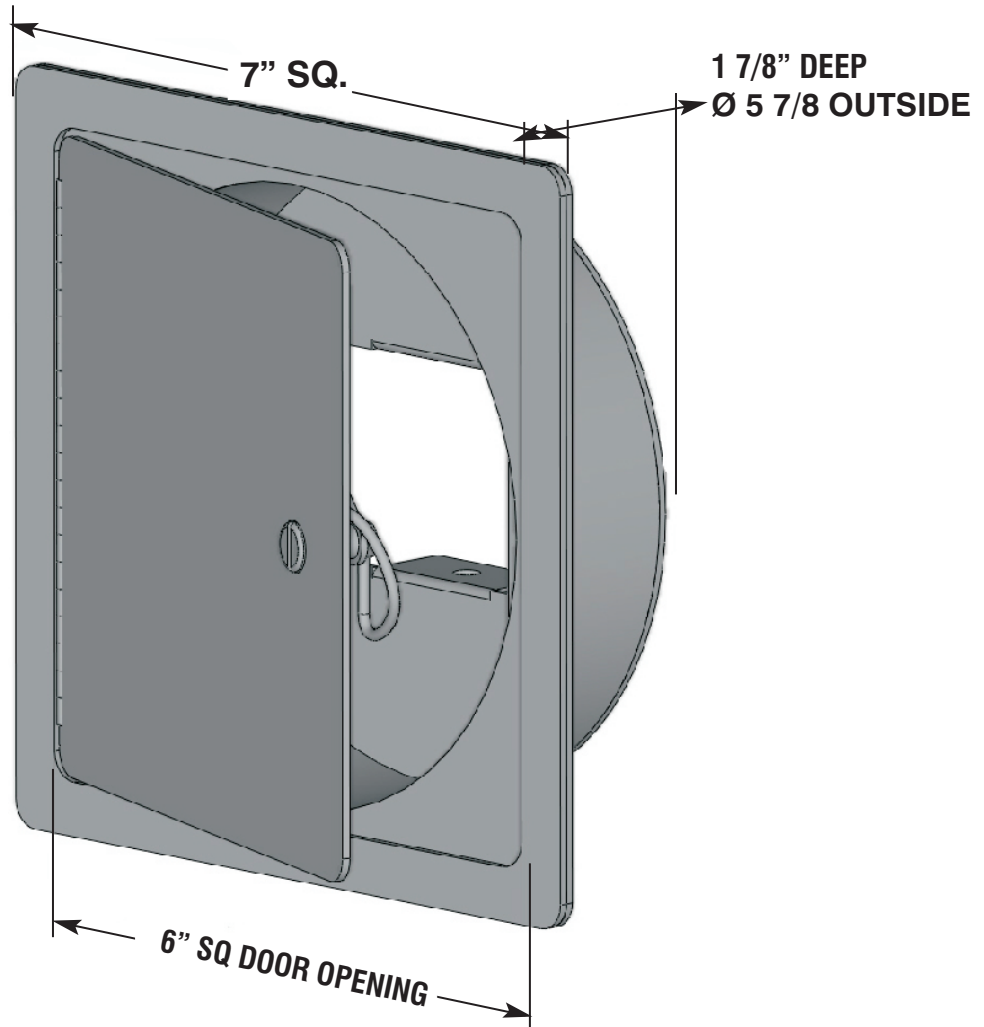


**MHY-3-RB**

**CORE HOLE WALL HYDRANT BOX**

**Specification:** MIFAB® MHY-3-RB Series encased stainless steel hydrant box for 6" diameter core holes in tilt up construction with screwdriver operated cam latch.

**Application:** Designed to be installed into a 6" diameter core hole in tilt up construction.



SUFFIX	OPTIONAL VARIATIONS:
-95	Hydrant box for MHY-90/91/92
-C	Cylinder key lock
-A	Allan key lock
-PL	Paddle latch
-VP	Vandal resistant hardware (VP screw driver included)

Job Name: \_\_\_\_\_ Page No: \_\_\_\_\_  
Section No: \_\_\_\_\_ Contractor: \_\_\_\_\_  
Schedule No: \_\_\_\_\_ Purchase Order No: \_\_\_\_\_

MIFAB reserves the right to make changes in material and design without formal notice and obligation.

USA: 1-800-465-2736 www.mifab.com CAN: 1-800-387-3880