

Location: _____



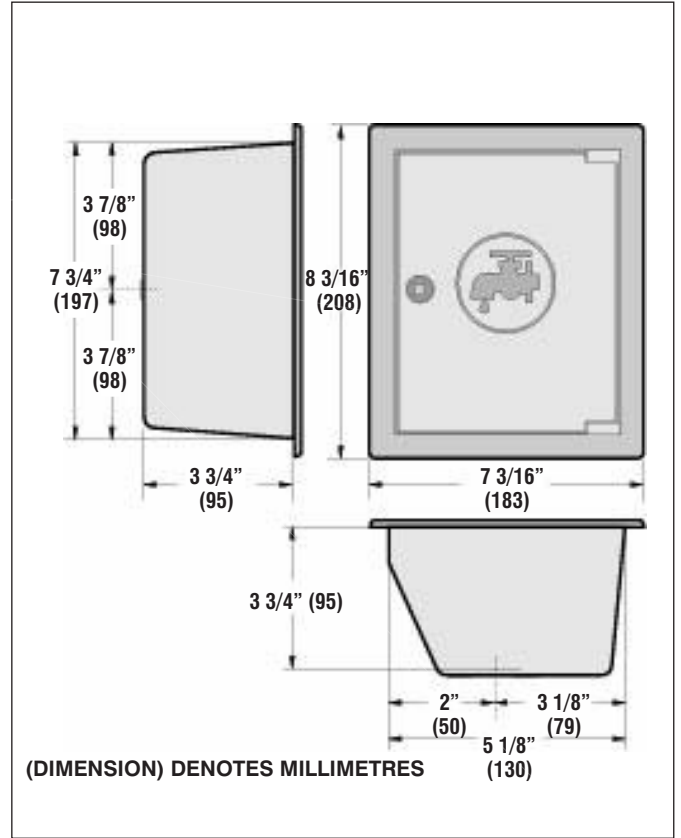
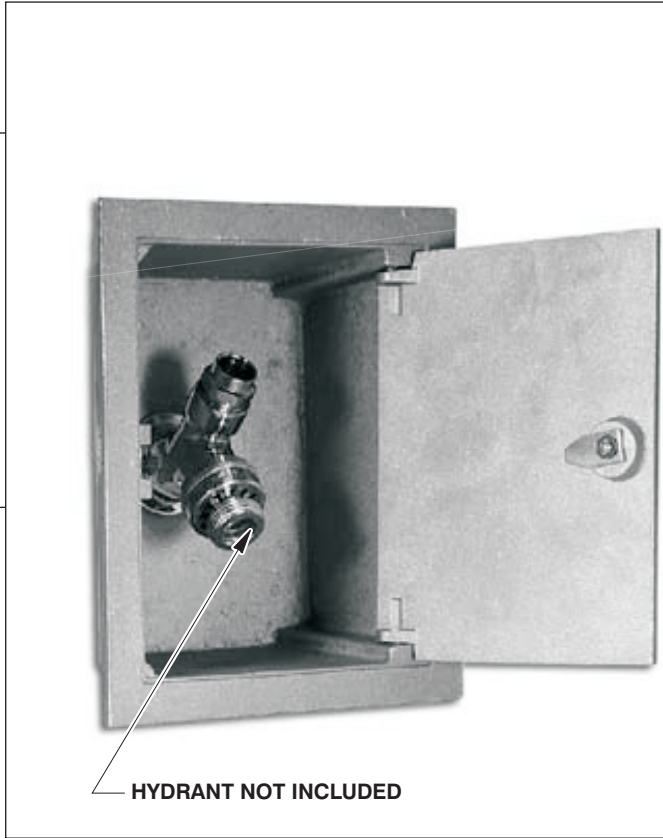
MHY-95

FLUSH MOUNTED WALL BOX

Specification: MIFAB Series MHY-95 flush cast mounted brass wall box with hydrant (specify MHY-90 Series hydrant separately).

Function: Designed to provide an encased water supply in moderate climate areas.

Plumbing and Drainage
Mechanical Section



- SUFFIX** **OPTIONAL VARIATIONS:**
- 49 Chrome plated brass box
 - K Cylinder key lock

MHY-95 Series is not intended for use with MHY-9(*)30 or 31 Series Cast Iron Wheel Handle Wall Hydrants

(*) 0, 1, or 2

Job Name: _____	Page No: _____
Section No: _____	Contractor: _____
Schedule No: _____	Purchase Order No: _____

MIFAB reserves the right to make changes in material and design without formal notice and obligation.

USA: 1-800-465-2736 www.mifab.com CAN: 1-800-387-3880