

Location: _____



MI-G-AD

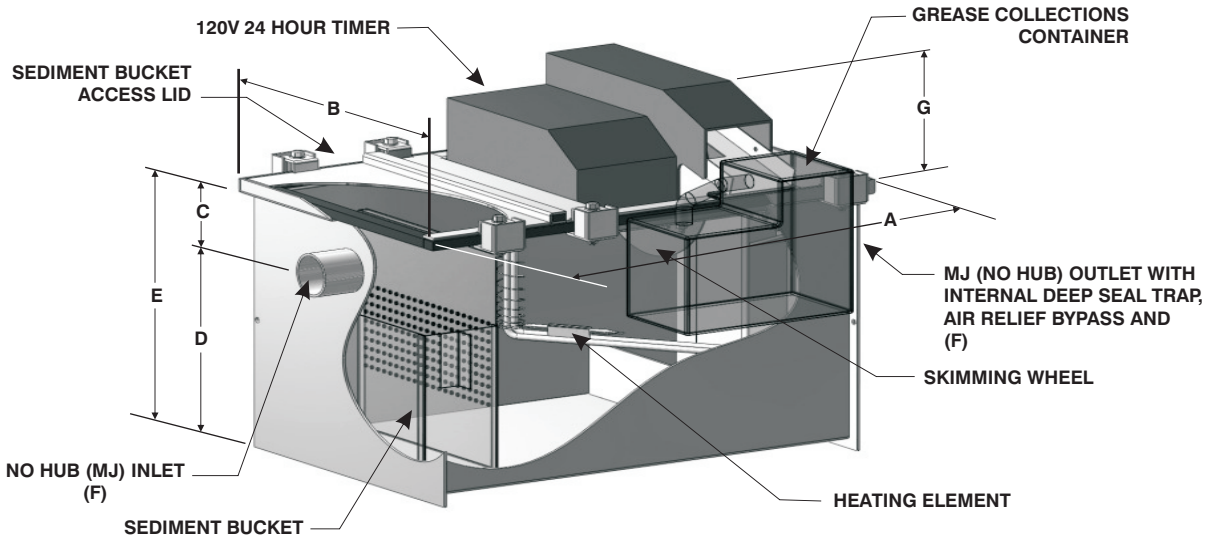
**AUTOMATIC RECOVERY
GREASE INTERCEPTOR**

Specification: The MI-G-AD Series is an automatic recovery grease interceptor that is self cleaning and requires minimal maintenance. The unit intercepts solids with an internal sediment bucket and extracts free floating oil and grease from the unit automatically into a separate holding compartment.

The MI-G-AD Series should be used in large restaurants, kitchens, institutions, industrial facilities such as food processing and packaging plants where fats, oil and grease (FOG) drains into the wastewater.

The MI-G-AD includes an epoxy coated body, also available in stainless steel (-SS Suffix) with a deep seal trap with sewer gas stopper, air relief bypass, dual lid for easy access to the internal sediment bucket, grease and oil collection container, 24 hour timer with heating element and automatic skimming wheel.

Plumbing and Drainage
Mechanical Section



Metric equivalents see chart below. (Dimension) Denotes Millimetres

Models MI-G-AD-4,5,6,7 are certified to the F.D.I. standard G-101 and I.A.P.M.O. standard PS-13-89.

Interceptor is available in right to left or left to right flow. The direction of flow determines on which side of the body the electronic control panel is mounted. Customer must advise direction of flow. Connections are No-hub.

MODEL NO.	US GPM	GREASE CAP. LBS.	A IN	B IN	C IN	D IN	E IN	F IN	G IN	NO. OF LIDS
MI-G-AD-3	15	30	23.75	15.75	3.5	11.5	15.0	2	6.75	2
MI-G-AD-4	20	40	23.75	15.75	3.5	14.0	17.5	3	6.75	2
MI-G-AD-5	25	50	27.75	18.75	3.5	14.0	17.5	3	6.75	2
MI-G-AD-6	35	70	31.25	23.75	5.5	16.5	22.0	3	6.75	2
MI-G-AD-7	50	100	31.25	23.75	5.5	18.5	24.0	3	6.75	2

Note: Add 8" (203) to the "A" dimension to obtain the overall length of the interceptor (which allows for draw-off valve and connections).

SUFFIX OPTIONAL VARIATIONS:

-SS Stainless steel (Type 304) fabricated interceptor

Job Name: _____ Page No: _____
 Section No: _____ Contractor: _____
 Schedule No: _____ Purchase Order No: _____

USA: 1-800-465-2736 www.mifab.com CAN: 1-800-387-3880