

Location: _____



MI-G-DOS

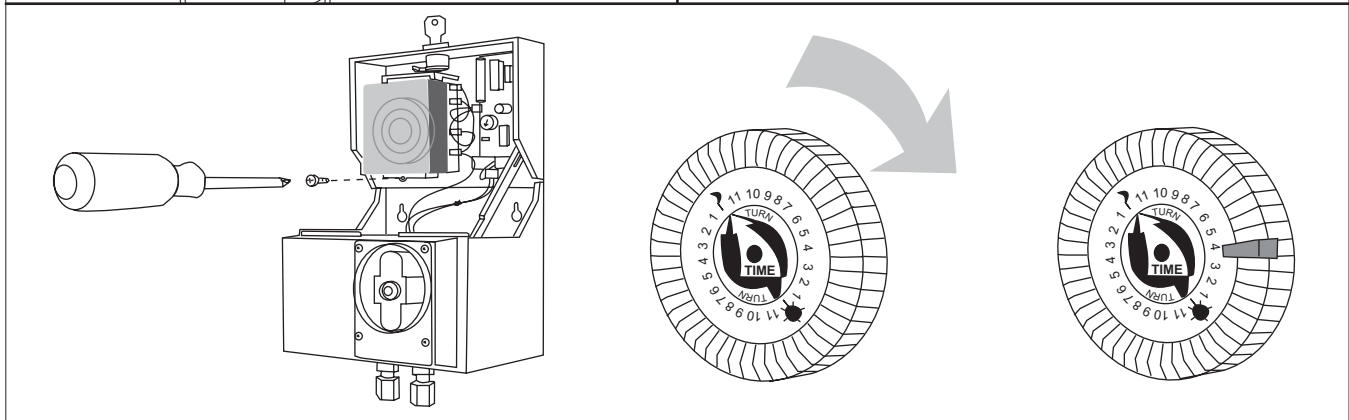
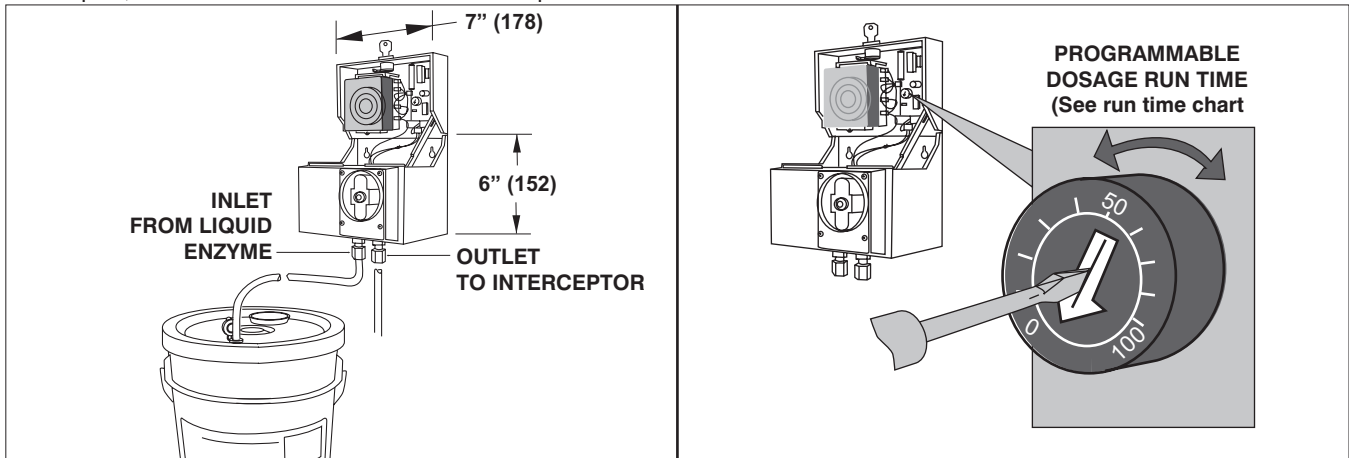
ELECTRONIC ENZYME DOSING PUMP

Specification: MIFAB Series MI-G-DOS bacterial enzyme dispensing system is a self-contained 120 or 220 VAC fully automatic dosing pump that is specifically system matched to MIFAB Series grease interceptors.

Function: The MI-G-DOS system delivers a programmable pre-determined amount of bacterial enzyme liquid to MIFAB grease interceptors which effectively reduce fats, oils and greases (F.O.G.) into water and carbon dioxide, thus reducing service intervals.

Pump Installation: It is highly recommended that the grease interceptor be emptied and cleaned completely before installing dosing unit. Select a dry location to mount pump, attach the unit to the wall as close as possible to the liquid enzyme container, tubing should not exceed 10 feet to or from the pump. Follow manufacturer's suggested bulkhead fitting attachment procedure and please note this connection must be air and water tight or interceptor performance will be negatively affected. Attach enzyme draw hose to inlet side of pump; the other end should be inserted into the enzymatic bacteria bucket through the small access cap until it touches the bottom. Attach the supply hose to the outlet side of the pump and then to the interceptor bulkhead fitting, then plug pump into wall outlet.

Setting The Timer: To set the current time, rotate the dial clockwise to the correct time. To select an "ON" time, lift the orange tab next to the time that you want the pump to turn on. An "UP" tab indicates that the pump turns on, a "DOWN" tab indicates pump will turn off. Liquid enzyme should be introduced into the interceptor on a down time or when little or no water is flowing through the interceptor; a 1 1/2 hour "ON" time should be adequate.



MI-G-DOS DOSE RUN TIME CHART			
INTERCEPTOR CAPACITY	DAILY DOSE LIQUID ENZYME (oz.)	PUMP RUN TIME (Approx.)	DIAL SETTING (Approx.)
UP TO 25 GALLONS	12 oz.	2 1/2 MIN.	25
25 TO 50 GALLONS	12 - 20 oz.	2 1/2 TO 3 1/4 MIN.	25 - 30
50 GALLONS	20 - 30 oz.	3 1/4 TO 6 1/2 MIN.	30-60

- SUFFIX OPTIONAL VARIATIONS:**
- 1ENZ Bacterial enzyme liquid (1 GAL)
 - 5ENZ Bacterial enzyme liquid (5 GAL)
 - BB Timer battery backup
 - P Pump only -110 VAC



Job Name: _____ Page No: _____
 Section No: _____ Contractor: _____
 Schedule No: _____ Purchase Order No: _____