



MI-XHUB

HEAVY DUTY SHIELDED NO HUB COUPLINGS

Specification: MIFAB® Series MI-XHUB (specify size) heavy duty shielded no hub couplings are manufactured with gaskets made from an elastomeric compound that meets the requirements of ASTM C-564 housed inside a Type 301 stainless steel corrugated shield. Four (2" through 4" size), six (5" through 15" size) Type 301 stainless steel clamps tightened with 3/8" Type 305 stainless steel hex head screws surround the shield to provide the sealing force. MI-XHUB Series Couplings are tested and certified to the ASTM-C1540-09a and FM1680-1989 Standards and are listed with IAPMO.

Function: Used to provide a positive and significant seal between no hub cast iron pipe and fittings.

Material Specifications:

Bands - Type 301 AISI stainless steel (Minimum tensile 165,000 psi).

Eyelets - Type 301 AISI stainless steel.

Gasket - Elastomeric compound meeting the requirements of ASTM C-564.

Screw Housing - Type 304 AISI stainless steel.

Eyelets - Type 301 AISI stainless steel.

Screws - Type 305 AISI stainless steel, 3/8" Hex head / Shoulder.

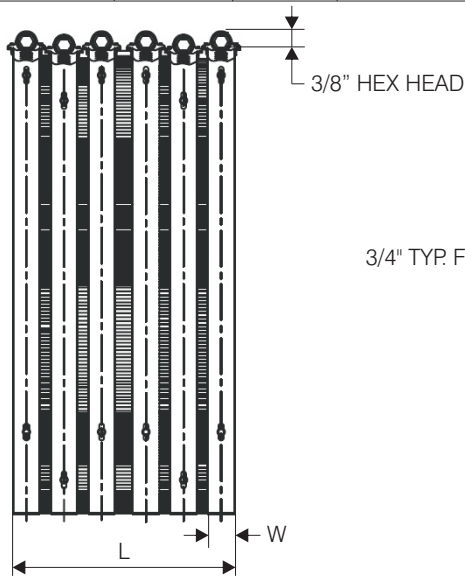
Shield - Type 301 AISI stainless steel painted red for easy identification.



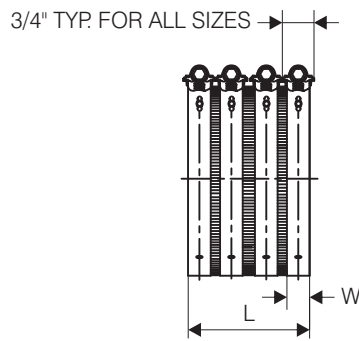
Performance Specifications:

- Tested to maintain 15 psi of water pressure with a 10' head
- Requires a 3/8" hex head driver to tighten screw heads to a minimum of 80 inch pounds and maximum of 100 inch pounds

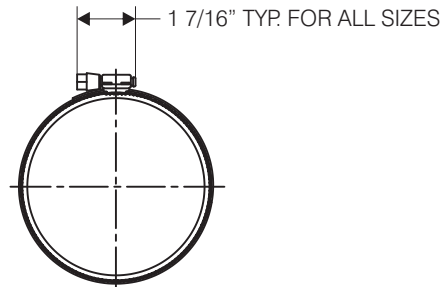
MODEL NUMBER	PIPE SIZE (NOMINAL DIA.)	(L) LENGTH (COUPLING)	INSTALLATION TORQUE (IN. - LBS)	NUMBER OF CLAMPS PER COUPLING	(W) BAND WIDTH (CLAMP)
MI-XHUB-1.5	1 1/2"	3"	80 - 100	4	9/16"
MI-XHUB-2	2"	3"	80 - 100	4	9/16"
MI-XHUB-3	3"	3"	80 - 100	4	29/64"
MI-XHUB-3x2	3" x 2"	3"	80 - 100	4	29/64"
MI-XHUB-4	4"	3"	80 - 100	4	9/16"
MI-XHUB-4x2	4" x 2"	3"	80 - 100	4	9/16"
MI-XHUB-4x3	4" x 3"	3"	80 - 100	4	9/16"
MI-XHUB-5	5"	4"	80 - 100	6	9/16"
MI-XHUB-6	6"	4"	80 - 100	6	9/16"
MI-XHUB-8	8"	4"	80 - 100	6	9/16"
MI-XHUB-10	10"	4"	80 - 100	6	9/16"
MI-XHUB-12	12"	5.43"	80 - 100	6	5/8"
MI-XHUB-15	15"	5.43"	80 - 100	6	5/8"



Tighten inside bands first, then outside bands.



Tighten inside bands first, then outside bands.



Job Name: _____	Page No: _____
Section No: _____	Contractor: _____
Schedule No: _____	Purchase Order No: _____