



R1150

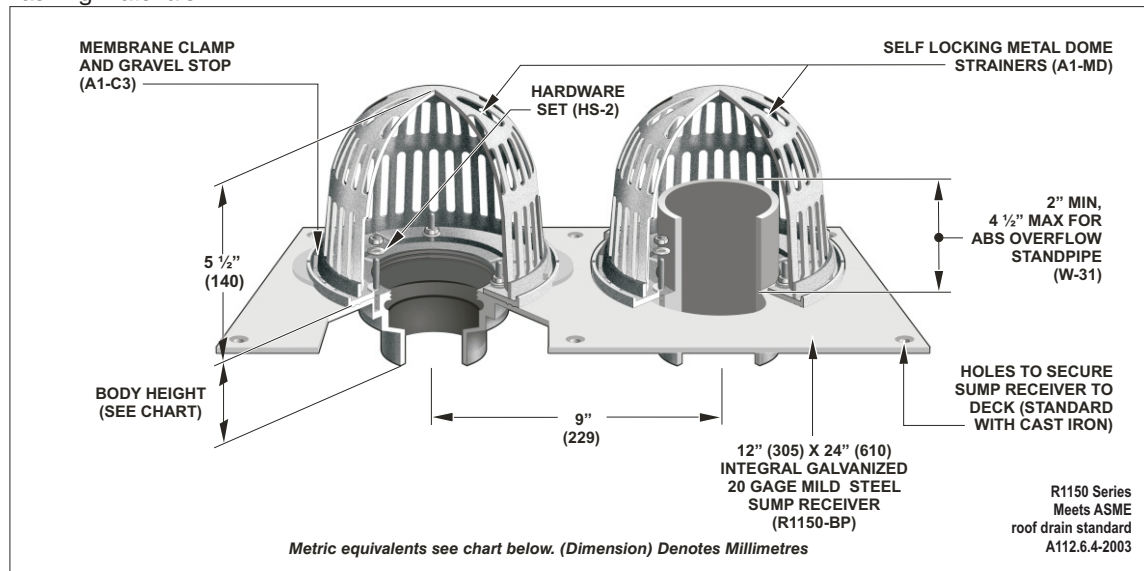
COMBINED ROOF DRAIN AND SECONDARY OVERFLOW SYSTEM

Specification: MIFAB® Series R1150 combined roof drain and secondary overflow system, consisting of a one piece lacquered cast iron drain body with integral sump receiver, cast iron waterproofing membrane clamp rings with integral gravel stops, one 2 1/2" (64) high integral cast iron overflow standpipe and two self-locking metal dome strainers with a free area of 43 square inches each.

Note: The above Specification is only for the 2", 3" and 4" vertical No Hub outlet product.
For all other outlet connection sizes and types, the following Specification applies:

Specification: MIFAB® Series R1150 combined roof drain and secondary overflow system, consisting of a galvanized sump receiver; two lacquered cast iron roof drain bodies with anchor flanges, cast iron waterproofing membrane clamp rings with integral gravel stops, one 4" (102) diameter adjustable ABS overflow standpipe and two self-locking metal dome strainers with a free area of 43 square inches each.

Function: Used in any type of conventional or flat roofs where a safety overflow, which receives water only when the accumulation is greater than the height of the standpipe is required to be located beside a standard roof drain. The standpipe can be adjusted to attain the desired overflow water depth. Dome provides for efficient drainage of rainwater and prevents debris from entering the drain line. Anchor flange and membrane clamp with tongue in groove design provides for secure grip of membrane and roof flashing materials.



PARTS:



A1 BODY



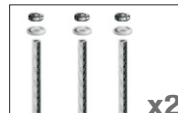
A1-MD



A1-C3



R1150-BP



HS-2

R1150 Series
Meets ASME
roof drain standard
A112.6.4-2003



R1150-BP

PIPE SIZE	BODY HEIGHT				
	NO HUB (STANDARD)	PUSH ON (P)	THREADED (T)	INSIDE CAULK (X)	PVC/ABS (-30)/(-31)
2" (51)	3" (76)	3 3/8" (86)	2 1/4" (57)	3 3/4" (95)	2 15/16" (75)
3" (76)	3" (76)	3 3/8" (86)	2 5/8" (67)	3 3/4" (95)	3 3/4" (95)
4" (102)	3" (76)	3 3/8" (86)	2 5/8" (67)	3 3/4" (95)	3 3/4" (95)

- SUFFIX** **OPTIONAL VARIATIONS:**
- 6 Vandal proof domes (metal domes only)
 - 11 Acid resistant epoxy coating
 - 12 Galvanized metal domes
 - 12A Galvanized bodies and membrane clamps
 - 13 Galvanized bodies, membrane clamps and domes
 - 28 Stainless steel bodies (Type 304) (2",3",4")
 - 30 PVC socket connection bodies
 - 31 ABS socket connection bodies
 - 81 Rough bronze domes
 - 83 Stainless steel mesh screen over domes

- SUFFIX**
- 90 Threaded side outlets (cast iron only, 2",3",4")
 - 90NH No hub side outlets (cast iron only, 2",3",4")
 - (Standard) No hub outlets
 - ARRA ARRA (Stimulus Act) compliant product
 - BA Buy American Act Compliant product
 - C Secondary clamps
 - E Adjustable extension
 - EG Galvanized adjustable extensions

- SUFFIX**
- G Stainless steel ballast guards
 - M Metal domes (Standard)
 - P Push on outlets
 - PA Pennsylvania Steel Act compliant product
 - T Threaded outlets (2",3",4")
 - U Underdeck clamps
 - U3 Underdeck clamps with cutaway side
 - W-1 Water proofing flange
 - X Inside caulk outlets (2",3",4")
 - XJ Vertical expansion joint (see R1900)

Job Name: _____ Page No: _____
 Section No: _____ Contractor: _____
 Schedule No: _____ Purchase Order No: _____