

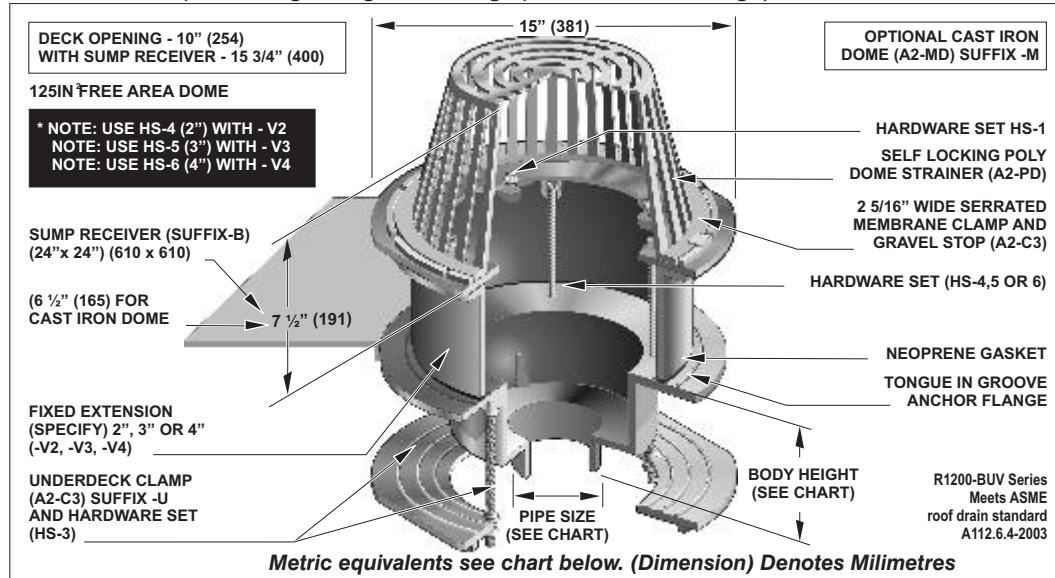


R1200-BUV

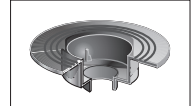
LARGE SUMP ROOF DRAIN WITH 2" THROUGH 4" FIXED EXTENSION, SUMP RECEIVER AND DECK CLAMP

Specification: MIFAB® Series R1200-BUV lacquered cast iron deep sump roof drain with 15" diameter anchor flange, sump receiver, gasketed fixed extension (specify height-2", 3" or 4" - V2,-V3 or -V4), underdeck clamp, cast iron waterproofing membrane clamp ring with integral gravel stop, and standard self-locking polyethylene dome strainer with a free area of 125 square inches.

Function: Used in any type of flat roofs. Large free area dome provides for efficient drainage of rain water and prevents debris from entering the drain line. Fixed extension available in various depths to match with insulation. Extra wide anchor flange and membrane clamp with tongue in groove design provides for secure grip of membrane and roof flashing materials.



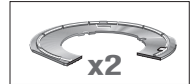
PARTS:



A2 BODY



A2-PD



A2-C3



A2-BP



A2-V(*)

(*) Denotes fixed extension height (2", 3" or 4")
 (**) Denotes hardware size 4 for V2, 5 for V3 or 6 for V4



A2-VG



HS-()**



HS-3



HS-1

PIPE SIZE	BODY HEIGHT				
	NO HUB (STANDARD)	PUSH ON (P)	THREADED (T)	INSIDE CAULK (X)	PVC/ABS (-30)/(-31)
2" (51)	6" (152)	6 1/8" (156)	5 7/16" (138)	6 1/4" (159)	7 1/8" (181)
3" (76)	6" (152)	6 1/8" (156)	5 7/16" (138)	6 1/4" (159)	7 3/8" (187)
4" (102)	6" (152)	6 1/8" (156)	5 7/16" (138)	6 1/4" (159)	7 3/8" (187)
5" (127)	6" (152)	—	5 7/16" (138)	6 1/4" (159)	—
6" (152)	7 1/4" (184)	8" (203)	6" (152)	6 1/4" (159)	—
8" (203)	5 7/8" (149)	—	—	5 5/8" (A7-8X body)	—

SUFFIX	OPTIONAL VARIATIONS:	SUFFIX	SUFFIX
-6	Vandal proof dome (metal dome only)	-90	Threaded side outlet (2", 3", 4")
-11	Acid resistant epoxy coating	-90NH	No hub side outlet (2", 3", 4")
-12	Galvanized metal dome	(Standard)	No hub outlet
-12A	Galvanized body and membrane clamp	-ARRA	ARRA (Stimulus Act) compliant product
-12B	Galvanized metal dome and membrane clamp	-BA	Buy American Act Compliant product
-13	Galvanized body, membrane clamp and dome	-C	Secondary clamp
-14	Flat grate (Replaces dome strainer)	-E	Adjustable extension
-28	Stainless steel body (fabricated) (Type 304)	-EG	Galvanized adjustable extension
-30	PVC socket connection body	-F1, -F2, -F3	Accuflow (parabolic weir) specify
-31	ABS socket connection body	-G	Stainless steel ballast guard
-81	Rough bronze dome	-JC	S.S. Ballast guard with secondary clamp
-83	Stainless steel mesh screen over dome	-M	Cast iron dome
		-M-80	Low profile aluminum dome
			SUFFIX
			P
			-PA
			-R
			T
			-U3
			-V
			-VG
			-W
			-W-1
			-W-2
			-W-3
			-W-4
			-W-6
			-XJ
			X
			-Z

Job Name: _____ Page No: _____
 Section No: _____ Contractor: _____
 Schedule No: _____ Purchase Order No: _____