

Location: _____



R1200-PR

LARGE SUMP PROMENADE DECK DRAIN WITH 12" SQUARE TOP

Specification: MIFAB® Series R1200-PR lacquered cast iron deep sump roof drain with 15" diameter anchor flange, large cast iron waterproofing membrane clamp ring with integral gravel stop, square adjustable collar and standard 12" (305) square hinged ductile iron tractor grate with 3/8" (9) maximum width drainage slots and a free area of 51 square inches.

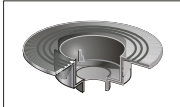
Function: Used in flat roofs and decks designed for promenade or recreational areas. Large square top blends in with tile and brick patterns and has enough free area for efficient drainage of rainwater. Narrow, 3/8" (9) drainage slots prevent debris from entering the drain line. Extra wide anchor flange and membrane clamp with tongue in groove design provides for secure grip of membrane and roof flashing materials. Specify MIFAB's double adjustable extension (Suffix-E) to enable one to adjust the extension independent of the top assembly to the required height and position. This unique design permits one to align the square drain with the square tile or brick pattern.

**ADD 5/8" TO DIM.
AND 3/16" TO THE HEIGHT
FOR NB, SS VENEER**


1" (25) THICK HEAVY DUTY HINGED DUCTILE IRON GRATE NOTE: HINGED GRATE STANDARD WITH (-4) GRATE. NOT AVAILABLE WITH (-1) OR (-3)

3/8" (9) MAXIMUM WIDTH DRAINAGE SLOTS

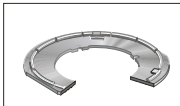
PARTS:




A2 BODY



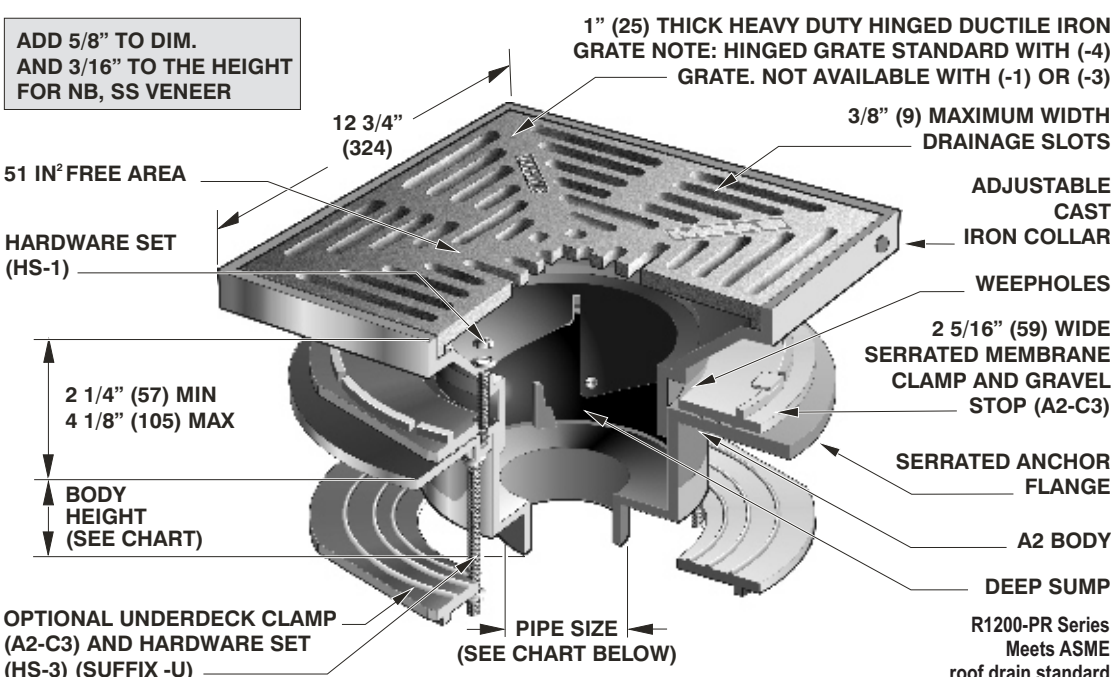
F1440-TA-4



A2-C3



HS-1



51 IN² FREE AREA

HARDWARE SET (HS-1)

**2 1/4" (57) MIN
4 1/8" (105) MAX**

BODY HEIGHT (SEE CHART)

OPTIONAL UNDERDECK CLAMP (A2-C3) AND HARDWARE SET (HS-3) (SUFFIX -U)

12 3/4" (324)

ADJUSTABLE CAST IRON COLLAR

WEEPHOLES

2 5/16" (59) WIDE SERRATED MEMBRANE CLAMP AND GRAVEL STOP (A2-C3)

SERRATED ANCHOR FLANGE

A2 BODY

DEEP SUMP

R1200-PR Series Meets ASME roof drain standard A112.6.4-2003

PIPE SIZE (SEE CHART BELOW)

Metric equivalents see chart below. (Dimension) Denotes Millimetres

Note: Deck opening - 10" (254) with sump receiver 15 3/4" (400)

Note: When used in exterior areas and subject to rainfall, ensure that the free area is equal to twice the traverse (cross sectional) area of the connecting pipe.

PIPE SIZE	BODY HEIGHT				
	NO HUB (STANDARD)	PUSH ON (P)	THREADED (T)	INSIDE CAULK (X)	PVC/ABS (-30)/(-31)
2" (51)	6" (152)	6 1/8" (156)	5 7/16" (138)	6 1/4" (159)	7 1/8" (181)
3" (76)	6" (152)	6 1/8" (156)	5 7/16" (138)	6 1/4" (159)	7 3/8" (187)
4" (102)	6" (152)	6 1/8" (156)	5 7/16" (138)	6 1/4" (159)	7 3/8" (187)
5" (127)	6" (152)	—	5 7/16" (138)	6 1/4" (159)	—
6" (152)	7 1/4" (184)	8" (203)	6" (152)	6 1/4" (159)	—
8" (203)	5 7/8" (149)	—	—	5 5/8" (143)	—

<p>SUFFIX</p> <p>-1 Nickel bronze (vener)</p> <p>-3 Stainless steel (vener)</p> <p>-4 Ductile iron grate (Standard)</p> <p>-5 Sediment bucket</p> <p>-6 Vandal proof</p> <p>-11 Acid resistant epoxy coating</p> <p>-12 Galvanized top assembly</p> <p>-12A Galvanized body and membrane clamp</p> <p>-13 Galvanized body, membrane clamp and top assembly</p> <p>-15 Adjustable extension</p> <p>-21 Secondary flat stainless steel strainer (2", 3", 4")</p> <p>-28 Stainless steel body (fabricated) (Type 304)</p>	<p>SUFFIX</p> <p>-30 PVC socket connection body</p> <p>-31 ABS socket connection body</p> <p>-90 Threaded side outlet (cast iron only, 2", 3", 4")</p> <p>-90NH No Hub side outlet (cast iron only) (2", 3", 4")</p> <p>-95 Client logo</p> <p>(Standard) No hub outlet</p> <p>-ARRA ARRA (Stimulus Act) compliant product</p> <p>-B Sump receiver</p> <p>-BA Buy American Act</p> <p>-HC Compliant product Adj. ballast guard with secondary clamp</p>	<p>SUFFIX</p> <p>-JC S.S. ballast guard with secondary clamp</p> <p>P Push on outlet (2", 3", 4", 6")</p> <p>-PA Pennsylvania Steel Act compliant product</p> <p>T Threaded outlet (2", 3", 4", 6")</p> <p>-U Underdeck clamp</p> <p>-U3 Underdeck clamp with cutaway side</p> <p>-W-1 Water proofing flange</p> <p>X Inside caulk outlet (2", 3", 4", 6")</p> <p>-XJ Vertical expansion joint (see R1900)</p> <p>-Z Extended wide elastometric flange</p>
---	--	---

Job Name: _____	Page No: _____
Section No: _____	Contractor: _____
Schedule No: _____	Purchase Order No: _____

MIFAB reserves the right to make changes in material and design without formal notice and obligation.

USA: 1-800-465-2736 www.mifab.com CAN: 1-800-387-3880