

Location: _____

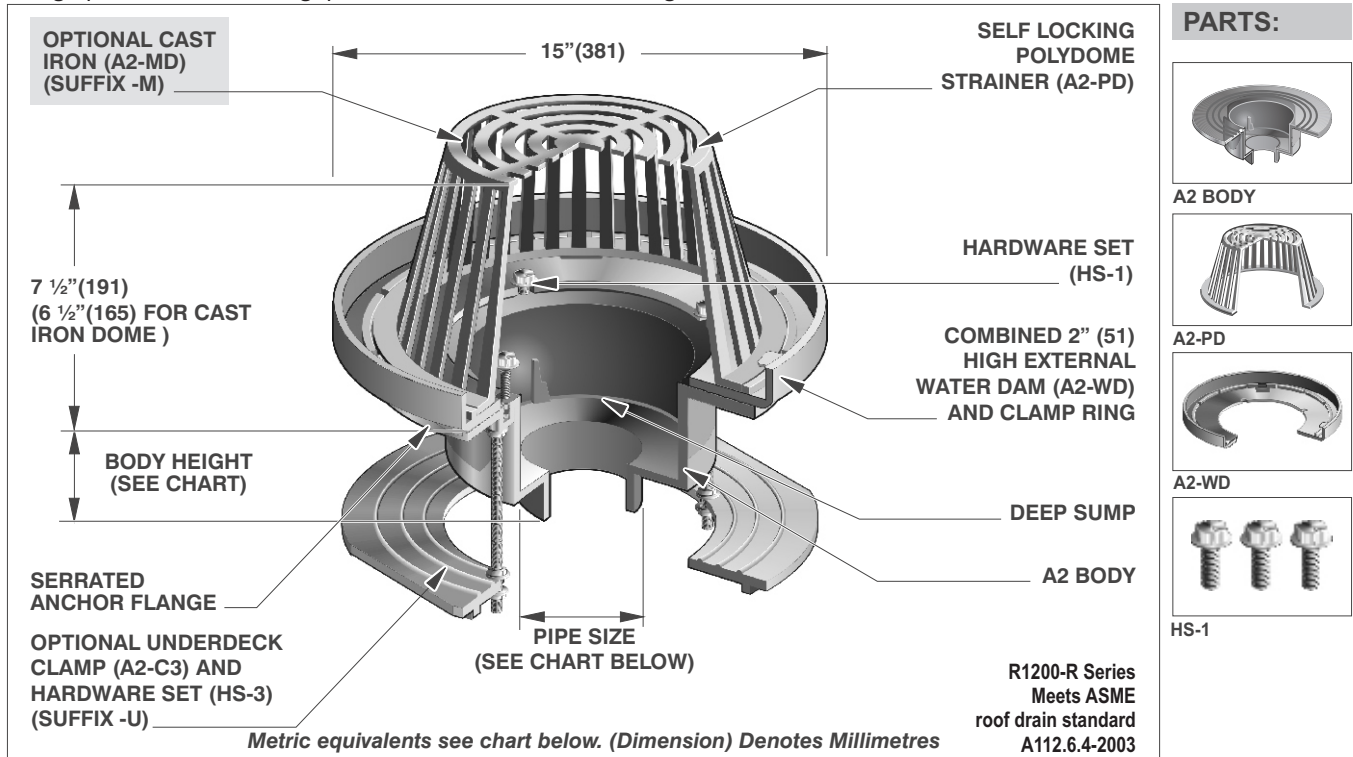


R1200-R

LARGE SUMP ROOF DRAIN WITH EXTERNAL 2" WATER DAM

Specification: MIFAB® Series R1200-R lacquered cast iron deep sump roof drain with 15" diameter anchor flange, 2" high cast iron external combined water dam and waterproofing membrane clamp ring, and standard self-locking polyethylene dome strainer with a free area of 125 square inches.

Function: Used in flat roofs where a constant height of water is required. Also used as an emergency overflow, draining water when the depth of the water on the roof exceeds the water dam height. Large free area dome provides for efficient drainage of rainwater and prevents debris from entering the drain line. Extra wide anchor flange and membrane clamp with tongue in groove design provides for secure grip of membrane and roof flashing materials.



Note: Deck opening - 10" (254) with sump receiver - 15 3/4" (400)

PIPE SIZE	BODY HEIGHT				
	NO HUB (STANDARD)	PUSH ON (P)	THREADED (T)	INSIDE CAULK (X)	PVC/ABS (-30)/(-31)
2" (51)	6" (152)	6 1/8" (156)	5 7/16" (138)	6 1/4" (159)	7 1/8" (181)
3" (76)	6" (152)	6 1/8" (156)	5 7/16" (138)	6 1/4" (159)	7 3/8" (187)
4" (102)	6" (152)	6 1/8" (156)	5 7/16" (138)	6 1/4" (159)	7 3/8" (187)
5" (127)	6" (152)	—	5 7/16" (138)	6 1/4" (159)	—
6" (152)	7 1/4" (184)	8" (203)	6" (152)	6 1/4" (159)	—
8" (203)	5 7/8" (149)	—	—	5 5/8" (143)	—

(A7-8X body)

SUFFIX	OPTIONAL VARIATIONS:	SUFFIX		SUFFIX	
-6	Vandal proof dome (metal dome only)	-90NH	No Hub side outlet (cast iron only) [2", 3", 4"]	-M	Cast iron dome
-11	Acid resistant epoxy coating	(Standard)	No hub outlet	-M-80	Low profile aluminum dome
-12	Galvanized metal dome	-ARRA	ARRA (Stimulus Act) compliant product	P	Push on outlet (2", 3", 4", 6")
-12A	Galvanized body and membrane clamp	-B	Sump receiver	-PA	Pennsylvania Steel
-12B	Galvanized metal dome and membrane clamp	-BA	Buy American Act	T	Act compliant product
-13	Galvanized body, membrane clamp and dome	-C	Compliant product	-U	Threaded outlet (2", 3", 4", 6")
-28	Stainless steel body (fabricated) (Type 304)	-E	Adjustable extension	-U3	Underdeck clamp
-30	PVC socket connection body	-EG	Galvanized adjustable extension	-V	Underdeck clamp with cutaway side
-31	ABS socket connection body	-G	Stainless steel ballast guard	-VG	Fixed extension, 2", 3", 4"
-81	Rough bronze dome	-HC	Adj. ballast guard with secondary clamp	-W-1	Galvanized fixed extension (2", 3", 4")
-83	Stainless steel mesh screen over dome	-JC	S.S. ballast guard with secondary clamp	X	Water proofing flange
-90	Threaded side outlet (2", 3", 4") (cast iron only)			-XJ	Inside caulk outlet (2", 3", 4", 6")
				-Z	Vertical expansion joint (see R1900)
					Extended wide deck flange

Job Name: _____ Page No: _____
 Section No: _____ Contractor: _____
 Schedule No: _____ Purchase Order No: _____