

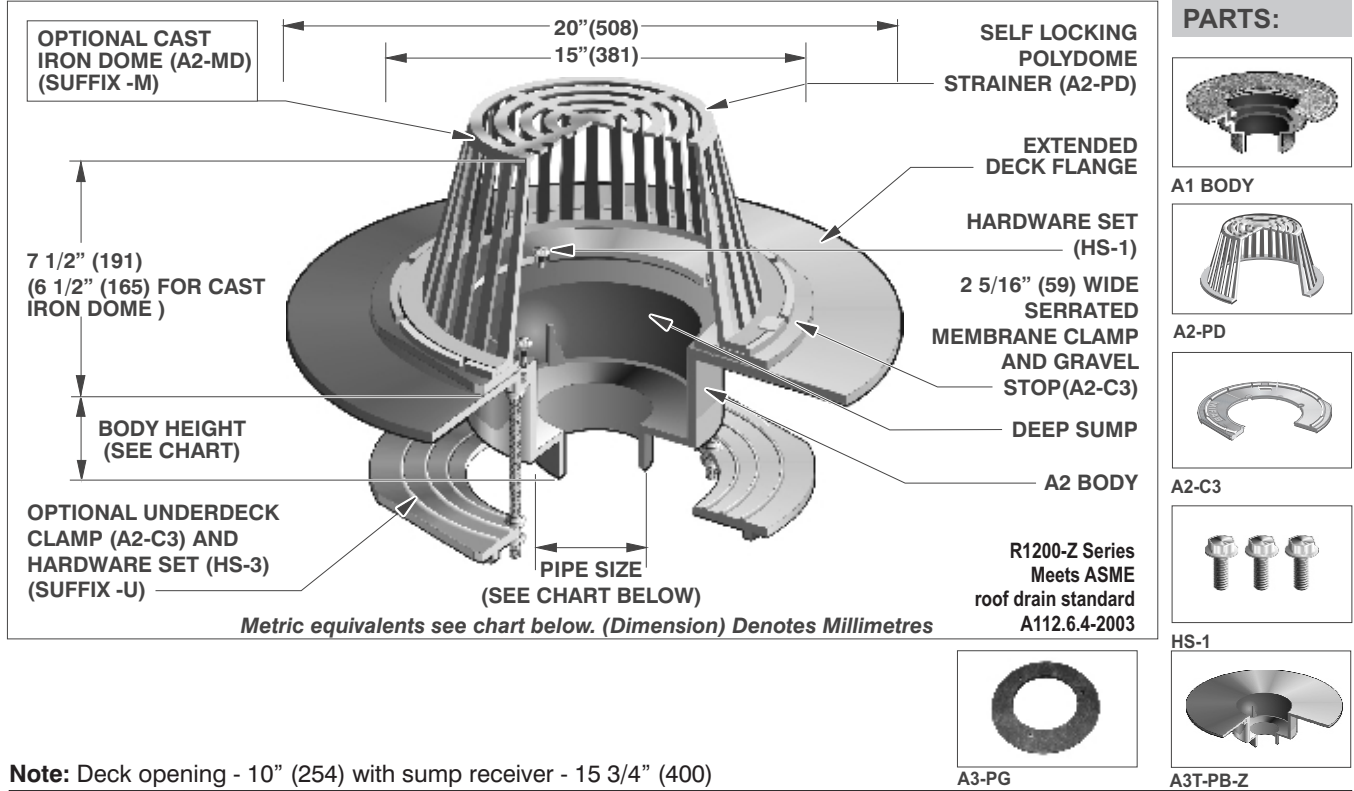


R1200-Z

LARGE SUMP DEXOTEX ROOF DRAIN WITH WIDE DECK FLANGE FOR A LIQUID MEMBRANE ROOF

Specification: MIFAB® Series R1200-Z lacquered cast iron deep sump roof drain with 20" diameter anchor flange, large cast iron waterproofing membrane clamp ring with integral gravel stop, and standard self-locking polyethylene dome strainer with a free area of 125 square inches.

Function: Used in flat roofs and decks designed for promenade or recreational areas where traffic bearing roof deck covering is used. Large free area dome provides for efficient drainage of rainwater and prevents debris from entering the drain line. Extra wide anchor flange and membrane clamp with tongue in groove design provides for secure grip of membrane and roof flashing materials.



Note: Deck opening - 10" (254) with sump receiver - 15 3/4" (400)

| PIPE SIZE | BODY HEIGHT | | | | |
|-----------|-------------------|--------------|---------------|------------------------------|---------------------|
| | NO HUB (STANDARD) | PUSH ON (P) | THREADED (T) | INSIDE CAULK (X) | PVC/ABS (-30)/(-31) |
| 2" (51) | 6" (152) | 6 1/8" (156) | 5 7/16" (138) | 6 1/4" (159) | 7 1/8" (181) |
| 3" (76) | 6" (152) | 6 1/8" (156) | 5 7/16" (138) | 6 1/4" (159) | 7 3/8" (187) |
| 4" (102) | 6" (152) | 6 1/8" (156) | 5 7/16" (138) | 6 1/4" (159) | 7 3/8" (187) |
| 5" (127) | 6" (152) | — | 5 7/16" (138) | 6 1/4" (159) | — |
| 6" (152) | 7 1/4" (184) | 8" (203) | 6" (152) | 6 1/4" (159) | — |
| 8" (203) | 5 7/8" (149) | — | — | 5 5/8" (143) (A7-8X body) | — |

| SUFFIX | OPTIONAL VARIATIONS: | SUFFIX (Standard) | | SUFFIX | |
|--------|---|-------------------|---|--------|--|
| -6 | Vandal proof dome (metal dome only) | -ARRA | No hub outlet | -PA | Pennsylvania Steel Act compliant product |
| -11 | Acid resistant epoxy coating | -B | ARRA (Stimulus Act) compliant product | -R | 2" external water dam |
| -12 | Galvanized metal dome | -BA | Sump receiver | T | Threaded outlet (2", 3", 4", 6") |
| -12A | Galvanized body and membrane clamp | -C | Buy American Act Compliant product | -U | Underdeck clamp |
| -12B | Galvanized metal dome and membrane clamp | -E | Secondary clamp | -U3 | Underdeck clamp with cutaway side |
| -13 | Galvanized body, membrane clamp and dome | -EG | Adjustable extension | -V | Fixed extension, (2", 3", 4") |
| -14 | Flat grate (replaces dome Strainer) | -F1, -F2, -F3 | Galvanized adjustable extension | -VG | Galvanized fixed extension |
| -28 | Stainless steel body (fabricated) (Type 304) | -G | Accuflow (parabolic weir) specify | -W | Adjustable water dam (4" dia.) |
| -30 | PVC socket connection body | -HC | Stainless steel ballast guard | -W-1 | Water proofing flange |
| -31 | ABS socket connection body | -JC | Adj. ballast guard with secondary clamp | -W2 | 2" high internal water dam |
| -81 | Rough bronze dome | -M | S.S. ballast guard with secondary clamp | -W3 | 3" high internal water dam |
| -83 | Stainless steel mesh screen over dome | -M-80 | Cast iron dome | -W4 | 4" high internal water dam |
| -90 | Threaded side outlet (cast iron only, 2", 3", 4") | P | Low profile aluminum dome | -W6 | 6" diameter adjustable water dam |
| -90NH | No Hub side outlet (cast iron only) (2", 3", 4") | | Push on outlet (2", 3", 4", 6") | X | Inside caulk outlet (2", 3", 4", 6") |
| | | | | -XJ | Vertical expansion joint (see R1900) |

Job Name: _____ Page No: _____
 Section No: _____ Contractor: _____
 Schedule No: _____ Purchase Order No: _____