

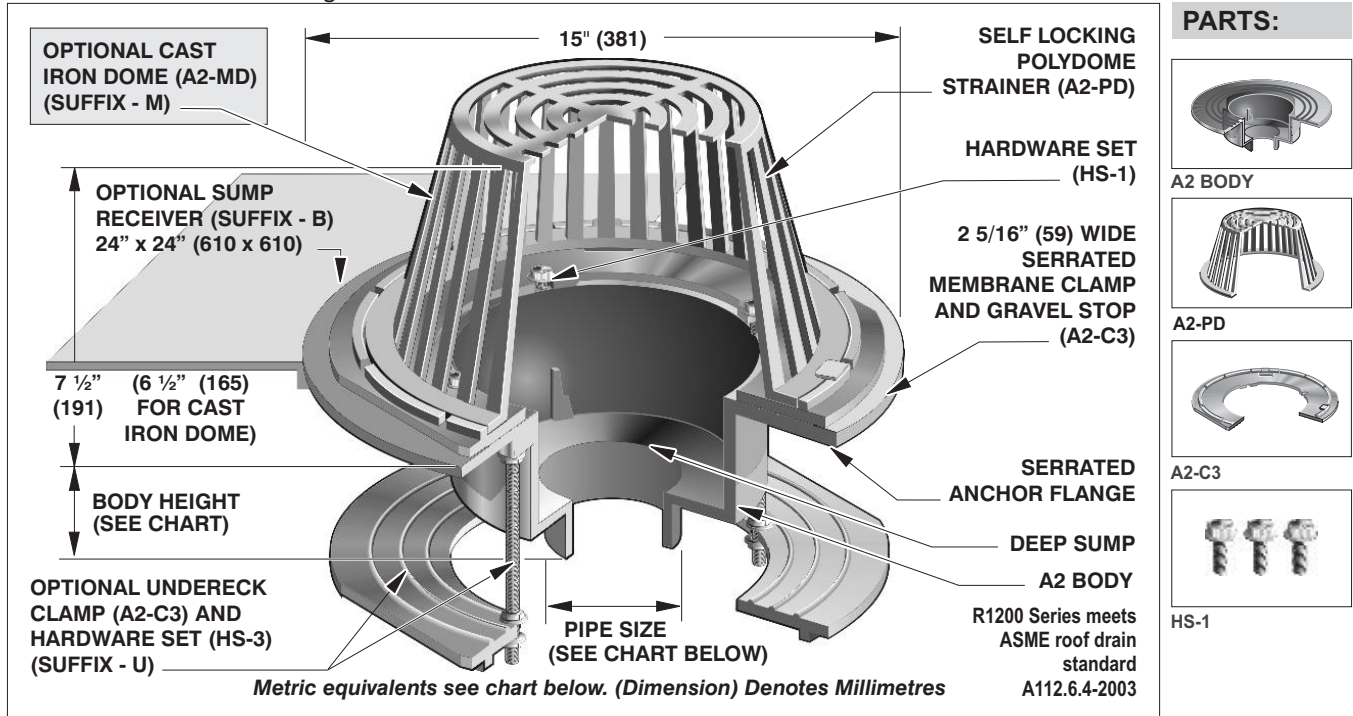


# R1200

## LARGE SUMP ROOF DRAIN

**Specification:** MIFAB® Series R1200 lacquered cast iron deep sump roof drain with 15" diameter anchor flange, large cast iron waterproofing membrane clamp ring with integral gravel stop, and standard self-locking polyethylene dome strainer with a free area of 125 square inches.

**Function:** Used in any type of flat roofs. Large free area dome provides for efficient drainage of rain water and prevents debris from entering the drain line. Extra wide anchor flange and membrane clamp with tongue in groove design provides for secure grip of membrane and roof flashing materials.



**Note:** Deck opening - 10" (254), with sump receiver - 15 3/4" (400)

PIPE SIZE	BODY HEIGHT				
	NO HUB (STANDARD)	PUSH ON (P)	THREADED (T)	INSIDE CAULK (X)	PVC/ABS (-30)/(-31)
2" (51)	6" (152)	6 1/8" (156)	5 7/16" (138)	6 1/4" (159)	7 1/8" (181)
3" (76)	6" (152)	6 1/8" (156)	5 7/16" (138)	6 1/4" (159)	7 3/8" (187)
4" (102)	6" (152)	6 1/8" (156)	5 7/16" (138)	6 1/4" (159)	7 3/8" (187)
5" (127)	6" (152)	—	5 7/16" (138)	6 1/4" (159)	—
6" (152)	7 1/4" (184)	8" (203)	6" (152)	6 1/4" (159)	—
8" (203)	5 7/8" (149)	—	—	5 5/8" (143) (A7-8X body)	—

SUFFIX	OPTIONAL VARIATIONS:	SUFFIX (Standard)		SUFFIX	
-6	Vandal proof dome (metal dome only)	-ARRA	ARRA (Stimulus Act) compliant product	P	Push on outlet (2", 3", 4", 6") Pennsylvania Steel
-11	Acid resistant epoxy coating	-B	Sump receiver	-PA	Act compliant product
-12	Galvanized metal dome	-BA	Buy American Act	-R	2" external water dam
-12A	Galvanized body and membrane clamp	-C	Compliant product	T	Threaded outlet (2", 3", 4", 6")
-12B	Galvanized metal dome and membrane clamp	-E	Adjustable extension	-U	Underdeck clamp
-13	Galvanized body, membrane clamp and dome	-EG	Galvanized adjustable extension	-U3	Underdeck clamp with cutaway side
-14	Flat grate (replaces dome strainer)	-F1, -F2, -F3	Accuflow (parabolic weir) specify	-V	Fixed static extension, 2", 3", 4"
-28	Stainless steel body (Type 304)	-G	Stainless steel ballast guard	-VG	Galvanized fixed extension (2", 3", 4")
-30	PVC socket connection body	-HC	Adj. ballast guard with secondary clamp	-W	Adjustable water dam (4" dia. )
-31	ABS socket connection body	-JC	S.S. ballast guard with secondary clamp	-W-1	Water proofing flange
-81	Rough bronze dome	-M	Cast iron dome	-W2	2" internal water dam
-83	Stainless steel mesh screen over dome	-M-80	Low profile aluminum dome	-W3	3" internal water dam
-90	Threaded side outlet (cast iron only) 2", 3", 4"			-W4	4" internal water dam
-90NH	No hub side outlet (cast iron only) 2", 3", 4"			-W6	6" diameter adjustable water dam
				X	Inside caulk outlet (2", 3", 4", 6")
				-XJ	Vertical expansion joint (see R1900)
				-Z	Extended wide elastomeric flange

Job Name: \_\_\_\_\_ Page No: \_\_\_\_\_  
 Section No: \_\_\_\_\_ Contractor: \_\_\_\_\_  
 Schedule No: \_\_\_\_\_ Purchase Order No: \_\_\_\_\_