

Location: \_\_\_\_\_

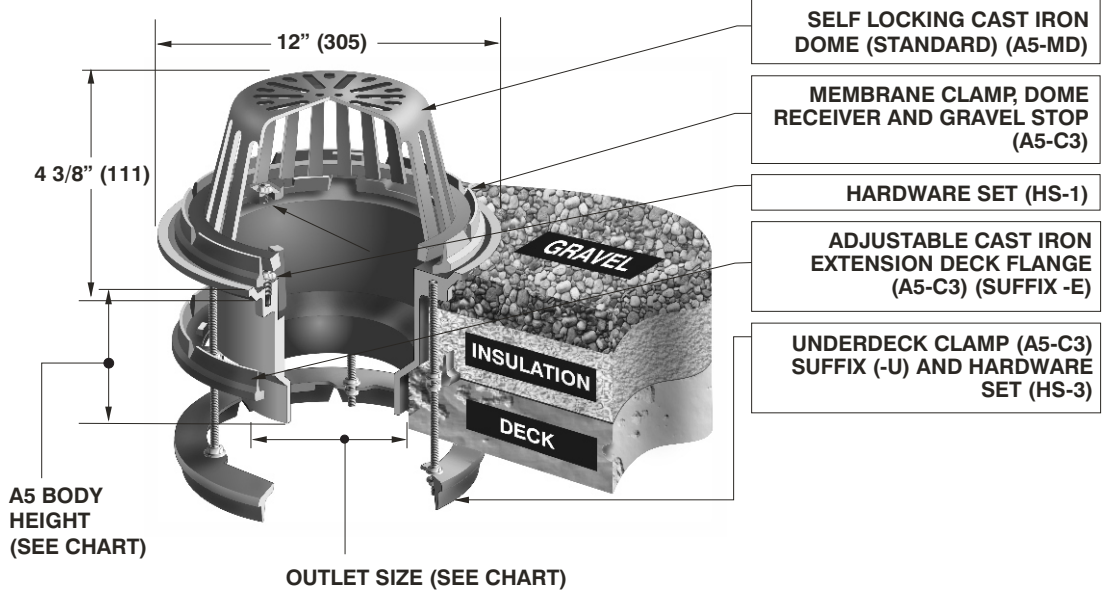
# MIFAB® R1220-EU

## MEDIUM SUMP EXTENSION ROOF DRAIN FOR 1 3/4" TO 7" INSULATION

**Specification:** MIFAB® Series R1220-EU lacquered cast iron medium sump roof drain with 12" diameter anchor flange, large cast iron waterproofing membrane clamp ring with integral gravel stop, adjustable cast iron extension flange, underdeck clamp and standard self-locking cast iron dome strainer with a free area of 71.50 square inches.

**Function:** Used in any type of flat roofs where a medium sized drain is required. Adjustable extension system can be adjusted to the thickness of insulation on top of the roof deck without the need for gaskets. Body is elevated off of the roof deck eliminating the need for the bearing pan or sump receiver. Extra wide anchor flange and membrane clamp with tongue in groove design provides for secure grip of membrane and roof flashing materials.

**71.50 In<sup>2</sup> FREE AREA DOME**



**PARTS:**



R1220-EU Series  
Meets ASME  
roof drain standard  
A112.6.4-2003

Metric equivalents see chart below. (Dimension) Denotes Millimetres

PIPE SIZE	BODY HEIGHT	
	NO HUB (STANDARD)	INSIDE CAULK (X)
2" (51)	6.45" (161)	6.575" (167)
3" (76)	6.45" (161)	6.575" (167)
4" (102)	6.45" (161)	6.575" (167)
6" (152)	6.45" (161)	6.575" (167)

- SUFFIX**    **OPTIONAL VARIATIONS:**
- 6    Vandal Proof dome
  - 11    Acid resistant epoxy coating
  - 12    Galvanized metal dome
  - 12A    Galvanized body and membrane clamp
  - 13    Galvanized body, membrane clamp and dome
  - 83    Stainless steel mesh screen over dome
  - ARRA    ARRA(Stimulus Act)compliant product
  - B    Sump receiver
  - BA    Buy American Act Compliant product
  - C    Secondary clamp
  - EG    Galvanized adjustable extension
  - G    Stainless steel ballast guard
  - HC    Adjustable ballast guard with secondary clamp

- SUFFIX**
- JC    Ballast guard with secondary clamp
  - PA    Pennsylvania Steel Act compliant product
  - R    2" external water dam
  - U3    Underdeck clamp with cutaway side
  - W-1    Waterproofing flange
  - X    Inside caulk outlet (2",3",4",6")
  - Z    Extended wide elastomeric flange (20" diameter x 1/4" thick)

Job Name: \_\_\_\_\_ Page No: \_\_\_\_\_  
 Section No: \_\_\_\_\_ Contractor: \_\_\_\_\_  
 Schedule No: \_\_\_\_\_ Purchase Order No: \_\_\_\_\_