



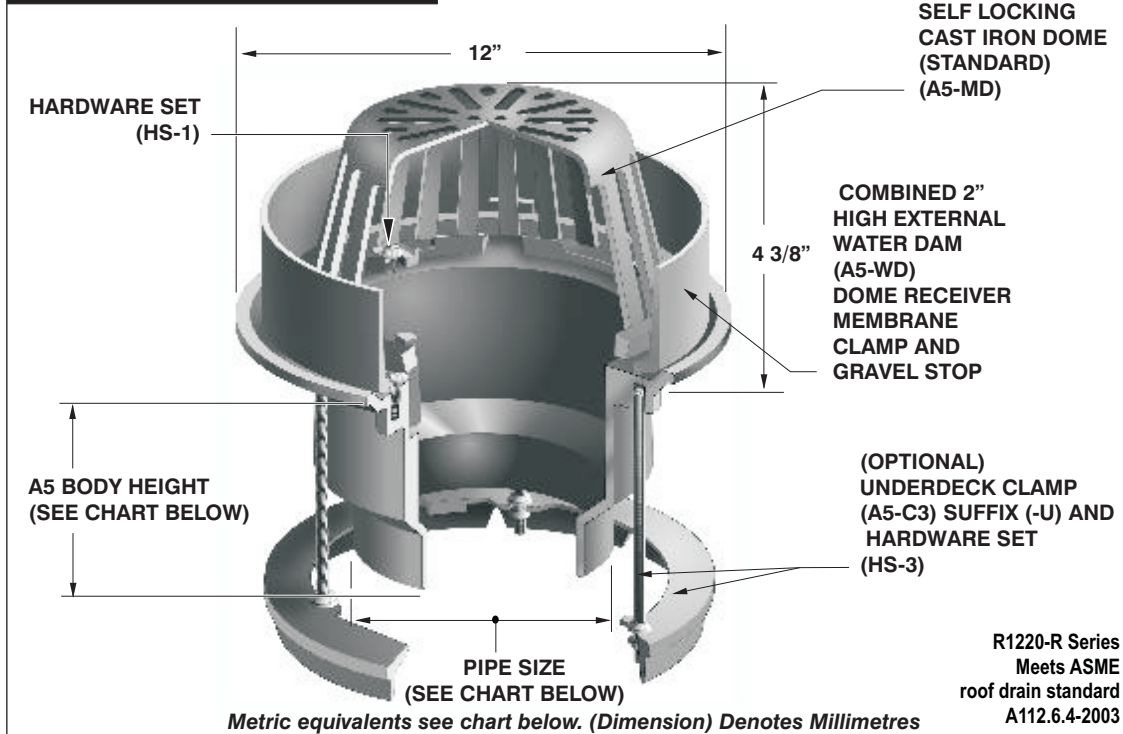
# R1220-R

## MEDIUM SUMP ROOF DRAIN WITH INTEGRAL 2" WATER DAM

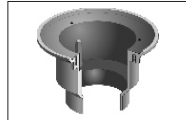
**Specification:** MIFAB® Series R1220-R lacquered cast iron medium sump roof drain with 12" diameter anchor flange, 2" high cast iron integral combined water dam and waterproofing membrane clamp ring, and standard self-locking cast iron dome strainer with a free area of 71.50 square inches.

**Function:** Used in flat roofs where a constant height of water is required. Also used as an emergency overflow, draining water when the depth of the water on the roof exceeds the water dam height. Large free area dome provides for efficient drainage of rainwater and prevents debris from entering the drain line. Extra wide anchor flange and membrane clamp provides for secure grip of membrane and roof flashing materials.

### 71.50 IN<sup>2</sup> FREE AREA DOME



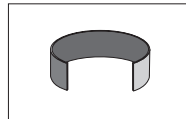
### PARTS:



A5 BODY



A5-MD



A5-WD



HS-1

R1220-R Series  
Meets ASME  
roof drain standard  
A112.6.4-2003

**Note:** Deck opening - 10" (254) with sump receiver - 15 3/4" (400)

PIPE SIZE	BODY HEIGHT	
	NO HUB (STANDARD)	INSIDE CAULK (X)
2" (51)	6.45" (161)	6.575 (167)
3" (76)	6.45" (161)	6.575 (167)
4" (102)	6.45" (161)	6.575 (167)
6" (152)	6.45" (161)	6.575 (167)

<b>SUFFIX</b>	<b>OPTIONAL VARIATIONS:</b>	<b>SUFFIX</b>	<b>SUFFIX</b>
-6	Vandal proof dome	-B	Sump receiver
-11	Acid resistant epoxy coating	-BA	Buy American Act
-12	Galvanized metal dome	-C	Compliant product
-12A	Galvanized body and water dam	-E	Secondary clamp
-13	Galvanized body, water dam and dome	-EG	Adjustable extension
-83	Stainless steel mesh screen over dome	-G	Galvanized adjustable extension
(Standard)	No hub outlet	-HC	Stainless steel ballast guard
-ARRA	ARRA (Stimulus Act) compliant product	-JC	Adj. ballast guard with secondary clamp
			S.S. ballast guard with secondary clamp
			-PA
			Pennsylvania Steel
			-U
			Act compliant product
			-U3
			Underdeck clamp
			-W-1
			Underdeck clamp with cutaway side
			X
			Water proofing flange
			-XJ
			Inside caulk outlet (2",3",4",6")
			-Z
			Vertical expansion joint (see R1900)
			Extended wide elastomeric flange

Job Name: _____	Page No: _____
Section No: _____	Contractor: _____
Schedule No: _____	Purchase Order No: _____