

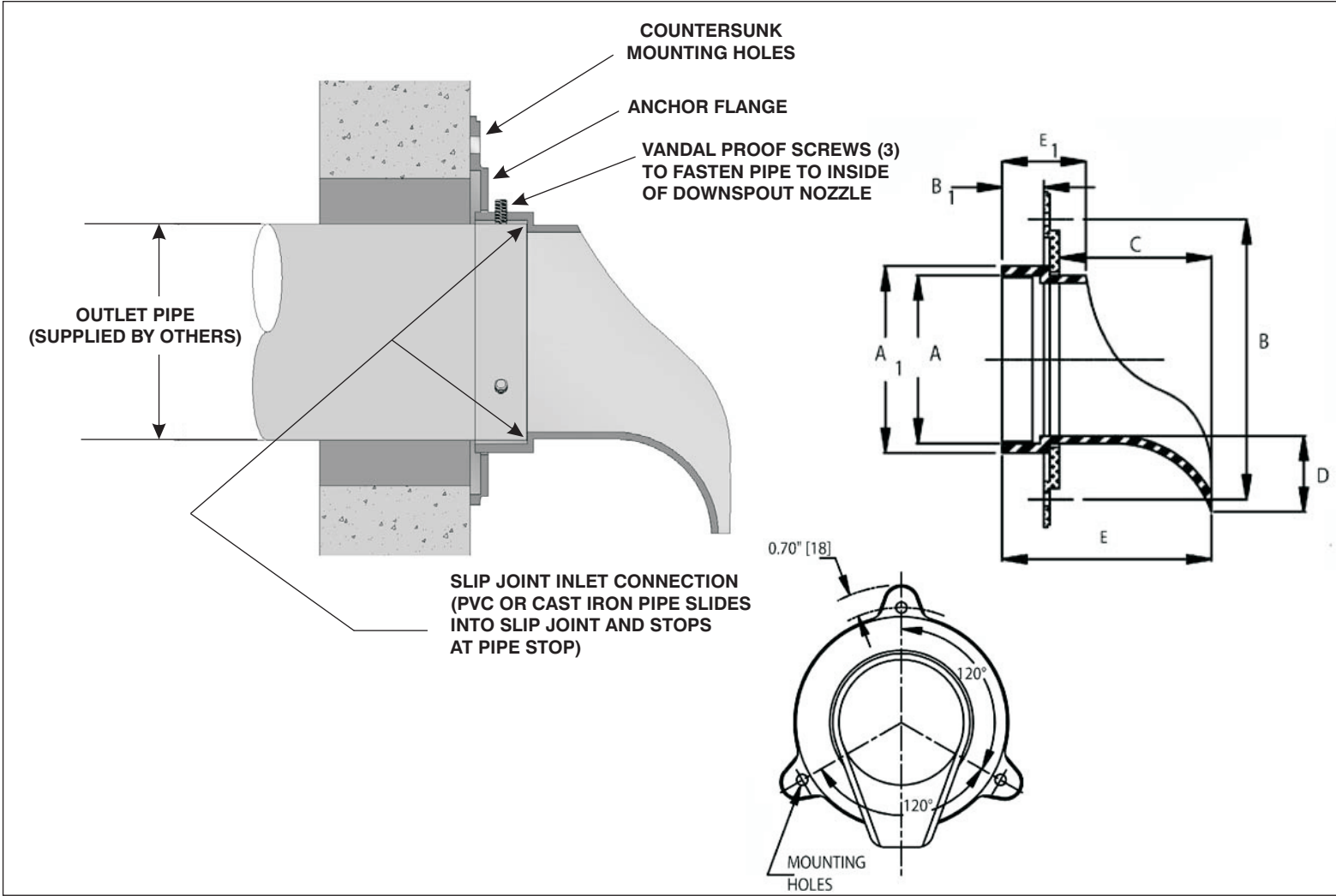


R1940-SJ

DOWNSPOUT NOZZLE WITH SLIP JOINT INLET

Specification: MIFAB® Series R1940-SJ with cast body (specify material type) (nickel bronze or stainless steel) and slip joint inlet, wall anchor flange with countersunk holes and decorative outlet nozzle.

Function: The slip joint inlet downspout nozzle performs the same function as the R1940 downspout nozzle. The difference between the two is the method of connecting the pipe to the inlet. The R1940-SJ has the inlet machined out. This allows cast iron or PVC pipe to extend past the face of the finished wall and rest against the pipe stop. The pipe is secured to the inside of the R1940-SJ via three vandal proof screws.



MODEL NO	PIPE SIZE A	A ₁	B	B ₁	C	D	E	E ₁
R1942-SJ	2" (51)	3.90"(100)	6.40"(163)	1.00"(25)	4.50"(114)	2.00" (51)	5.75" (146)	2.10" (53)
R1943-SJ	3" (76)	3.90"(100)	6.40"(163)	1.00"(25)	4.50"(114)	2.00" (51)	5.75" (146)	2.10" (53)
R1944-SJ	4" (102)	4.90"(124)	7.40"(188)	1.15"(29)	4.00"(102)	2.00" (51)	5.50" (140)	2.10" (53)
R1945-SJ	5" (127)	7.10"(180)	9.40"(239)	1.15"(29)	4.50"(114)	2.50" (64)	5.75" (146)	2.10" (53)
R1946-SJ	6" (152)	7.10"(180)	9.40"(239)	1.15"(29)	4.50"(114)	2.50" (64)	5.75" (146)	2.10" (53)
R1948-SJ	8" (203)	9.10"(231)	11.40"(290)	1.15"(29)	4.50"(114)	2.50" (64)	5.75" (146)	2.65" (67)
R1950-SJ	10" (254)	11.20"(284)	13.40"(340)	1.35"(34)	4.50"(114)	2.50" (64)	5.75" (146)	2.65" (67)
R1952-SJ	12" (305)	13.10"(334)	14.63"(372)	1.35"(34)	4.50"(114)	2.50" (64)	6.56" (167)	2.65" (67)

SUFFIX OPTIONAL VARIATIONS:

- 1 Cast Nickel bronze
- 3 Cast stainless steel (Type 304, 2" through 6" only)
- 83 Stainless steel screen
- 84 Stainless steel hinged perforated cover

SUFFIX

- ARRA ARRA (Stimulus Act) compliant product
- BA Buy American Act compliant product
- PA Pennsylvania Steel Act compliant product

Job Name: _____	Page No: _____
Section No: _____	Contractor: _____
Schedule No: _____	Purchase Order No: _____